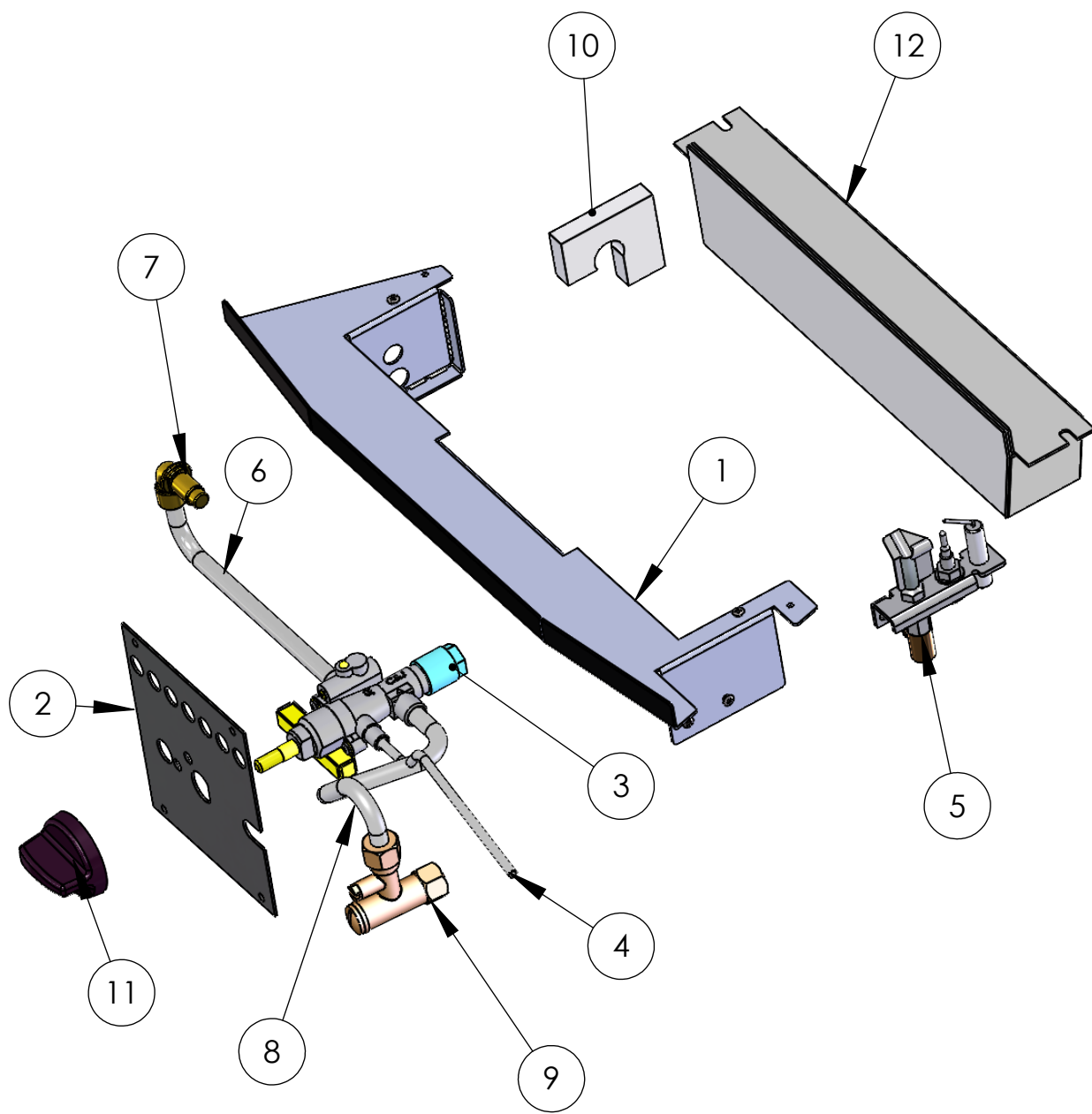


Focus HE Manual Control Tray



ITEM NO.	Description	Part NO	QTY.
1	Burner Carrier	4906	1
2	4274 BEZZEL PLATE	4274	1
3	Gas valve	5932	1
4	Pipe Valve to Pilot 4mm	4277	1
5	Oxy Pilot Assy	6952	1
6	Pipe Valve to Inj	5975	1
7	Injector	3208	1
8	Pipe Inlet 8mm	4276	1
9	Inlet elbow and PTP	2189	1
10	Silencer	4302	1
11	Gasvalve Knob	4278	1
12	Burner assembly	3051	1